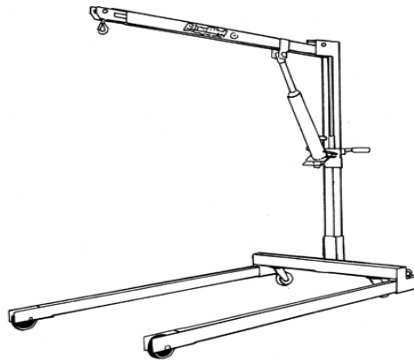
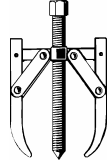


AUTOMOTIVE EQUIPMENT

		2 HR.	4 HR.	DAY	WEEK
9210	**ENGINE STAND			\$ 10.00	\$ 30.00
	**ENGINE SLING			\$ 5.00	\$ 15.00
42150	**HOIST-ENGINE	\$ 18.00		\$ 28.00	\$ 84.00
9952	**JACK-TRANSMISSION-SCISSORS TYPE	\$ 12.00		\$ 20.00	\$ 60.00
42190	**PORTA POWER 10 TON	\$ 35.00		\$ 48.00	\$ 144.00
9189	**PULLER-HARMONIC BALANCER	\$ 4.00		\$ 6.00	\$ 18.00
9186	**PULLER-PITMAN	\$ 6.00		\$ 10.00	\$ 30.00
9187	**PULLER-STEERING WHEEL			\$ 5.00	\$ 15.00
9189	**PULLER-HARMONIC BALANCER	\$ 4.00		\$ 6.00	\$ 18.00
9951	**PULLER-THREE JAW 7",8",10"	\$ 6.00		\$ 10.00	\$ 30.00
9955	**PULLER-JAW 17"	\$ 12.00		\$ 18.00	\$ 54.00
9501	**SPLITTER/BEARING 2.5" OR 4.5"	\$ 8.00		\$ 12.00	\$ 36.00



(PRICES SUBJECT TO CHANGE WITHOUT NOTICE)