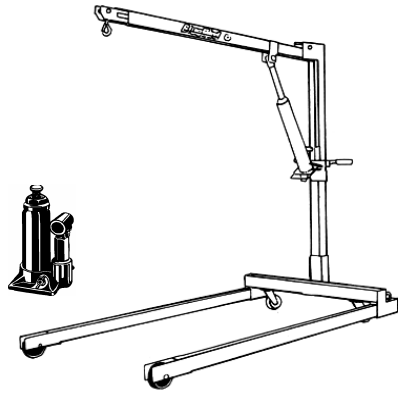


## HOISTS/JACKS

		4 HR.	DAY	WEEK
42410	**HOIST-LADDER FOR SHINGLES 28' 400#		\$ 75.00	\$ 225.00
42400	**HOIST-CHAIN 2 TON		\$ 18.00	\$ 46.00
9210	**HOIST-ENGINE 1500#		\$ 28.00	\$ 84.00
42410	**HOIST-CABLE COME-A-LONG		\$ 8.00	\$ 24.00
42130	**JACK-SHORING 68" - 11'		\$ 7.50	\$ 15.00
42260	**JACK-BOTTLE 20 TON		\$ 12.00	\$ 36.00
42300	**JACK-MECHANICAL 48" LIFT 3 TON		\$ 10.00	\$ 30.00
42330	**JACK-RAIL ROAD		\$ 18.00	\$ 54.00
42100	**JACK-SCREW 10 TON		\$ 5.00	\$ 15.00
42190	**JACK-TRANSMISSION SCISSOR TYPE		\$ 15.00	\$ 45.00
42150	**PROTA POWER 10 TON		\$ 45.00	\$ 140.00



**(PRICES SUBJECT TO CHANGE WITHOUT NOTICE)**