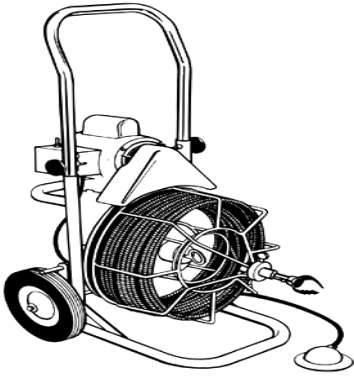
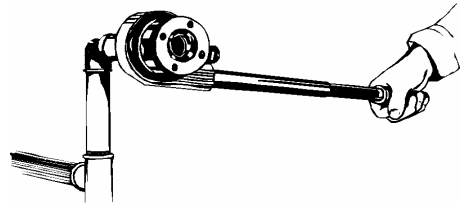
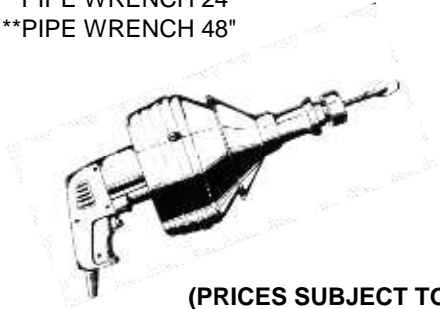


## PLUMBING

		2 HR.	4 HR.	DAY	WEEK
63100	**EEL-CLOSET HAND		\$ 7.00	\$ 10.00	\$ 30.00
63150	**EEL-15' INDOOR HAND		\$ 5.00	\$ 9.00	\$ 27.00
63200	**EEL-25' INDOOR DRILL ELE.		\$ 18.00	\$ 25.00	\$ 75.00
63300	**EEL-50' INDOOR DRUM ELE.		\$ 28.00	\$ 35.00	\$ 105.00
63350	**EEL-85' OUT DOOR DRUM ELE.		\$ 36.00	\$ 45.00	\$ 135.00
63400	**EEL-140' OUT DOOR CABLE ELE.		\$ 44.00	\$ 55.00	\$ 165.00
					
63530	**PIPE CUTTER- 2" HAND		\$ 5.00	\$ 8.00	\$ 24.00
63532	**PIPE CUTTER- 4" HAND		\$ 12.00	\$ 16.00	\$ 48.00
63700	**PIPE CUTTER SOIL CHAIN		\$ 17.00	\$ 25.00	\$ 75.00
63503	**PIPE DIE 3/8",1/2",3/4"			\$ 7.00	\$ 14.00
63506	**PIPE DIE 1",1-1/4",1-1/2",2"			\$ 8.00	\$ 16.00
63500	**PIPE THREADER HAND			\$ 5.00	\$ 15.00
63510	**PIPE THREADER HAND,ELE.			\$ 30.00	\$ 90.00
63520	**PIPE VICE TRIPOD			\$ 11.00	\$ 33.00
63600	**PIPE WRENCH 24"			\$ 6.00	\$ 12.00
63610	**PIPE WRENCH 48"			\$ 14.00	\$ 28.00



**(PRICES SUBJECT TO CHANGE WITHOUT NOTICE)**