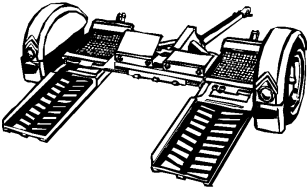
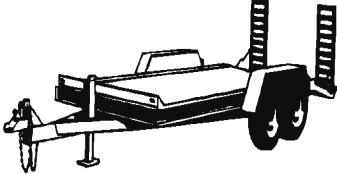
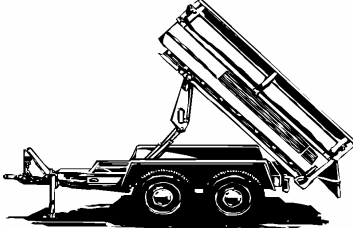


TRAILERS

		2 HR.	4 HR.	DAY	WEEK
84350	**CADDIE-CAR W/STRAPS				
		\$ 35.00	\$ 48.00	\$ 185.00	
84150	**TRAILER-4'X8' RAMP 1000# LOAD	\$ 15.00	\$ 22.00	\$ 80.00	
84250	**TRAILER-6'X10' RAMP 2500# LOAD	\$ 24.00	\$ 36.00	\$ 144.00	
	**TRAILER-5'X6' RAMP 5000# LOAD	\$ 24.00	\$ 36.00	\$ 144.00	
	**TRAILER-5'X6' RAMP 2500# LOAD				
84260	**TRAILER-5'X8' W/SIDES	\$ 22.00	\$ 32.00	\$ 128.00	
84262	**TRAILER-6'X12' W/SIDES	\$ 30.00	\$ 40.00	\$ 160.00	
84300	**TRAILER-AUTO 16' FLAT				
		\$ 45.00	\$ 62.00	\$ 252.00	
84355	**TRAILER-SKID STEER	\$ 44.00	\$ 60.00	\$ 240.00	
84510	**TRAILER-DUMP 6'X12' 5 TON	\$ 74.00	\$ 98.00	\$ 392.00	
84200	**TRAILER-5'X8' TILT 1500# LOAD	\$ 15.00	\$ 22.00	\$ 80.00	
57501	**TRAILER BALL 2" OR 2 5/16"		\$ 2.00	\$ 4.00	
57601	**TRAILER INSERT W/ BALL		\$ 2.50	\$ 5.00	
					

TRAILER/SMALL W/EQUIPMENT \$ 5.00
 TRAILER/LARGE W/EQUIPMENT \$15.00

(PRICES SUBJECT TO CHANGE WITHOUT NOTICE)